

ML1072X SERIES ANSI GRADE 1 MORTISE LOCKSET



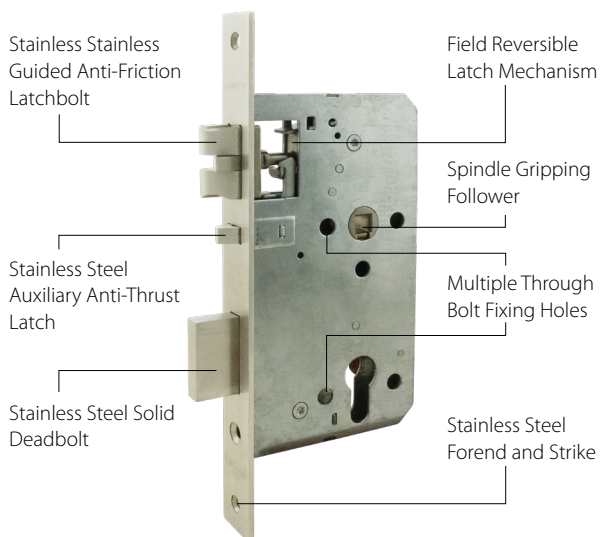
Specifications and Features

- Designed to meet and exceed ANSI/BHMA 156.13 Grade 1 Mortise Lock requirement.
- Design for conformity to all of requirement of EN12209: 2003
- Hybrid design of ANSI Specification in a Euro mortise lock case
- Modular case across functions for rapid door prepping and installation
- 72mm centers, backset in 60mm
- 8mm follower
- Field reversible Anti-Friction latchbolt in solid stainless steel with 13 mm projection
- Single throw deadbolt in solid stainless steel with 20mm projection
- Stainless steel faceplate and strike plate
- Compatible with bolt through furniture and escutcheons of 38mm centers
- Compatible with standard cylinder with Euro compatible cam
- Covers various functions and Applications

Application

HUACI ML1072X Series ANSI Grade 1 Mortise Lockset is designed and built for very high frequency usage applications such as public access buildings and schools where deliberate abuse likely takes place

ML1072X Series Mortise Lock



Standards and Certification



Successfully type-tested for conformity to requirements of ANSI/BHMA 156:2017 Grade 1 requirement. Durability exceeds the requirement of 1 million cycles (Actual durability tested to 1.8 million cycles)



Successfully type-tested for conformity to all of requirement of EN12209: 2003



Successfully passed and exceeded 240-minutes fire test of metal fire door assemblies to EN1634-1: 2014



CE Declaration of Conformity available upon request



HUACI ML10 72X series locks are approved by Certifire.* Certifire No. CF5333



All ANSI / BHMA tests performed independently and certified by Intertek Testing Services. Test report/ certificate are available upon request.

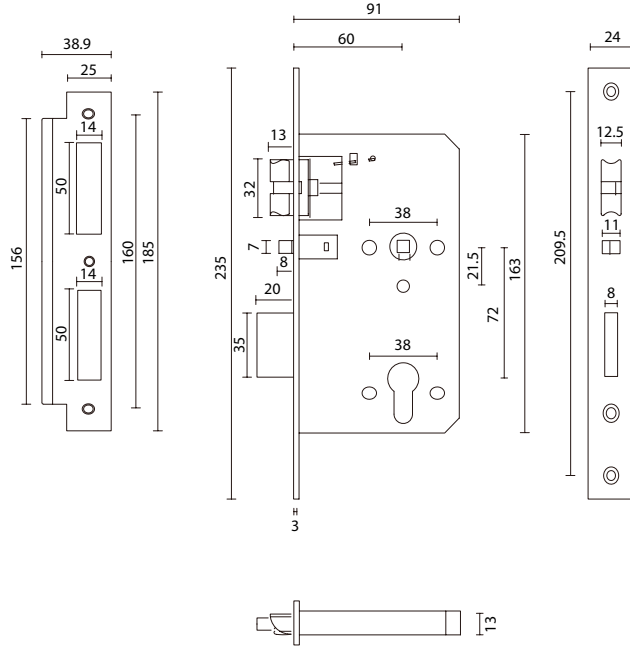
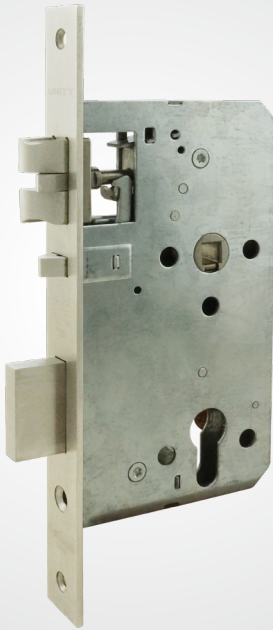


All EN/CE/Certifire tests performed independently and certified by Exova/ Warrington Fire/Warrington APT. Test report/ certificate are available upon request.

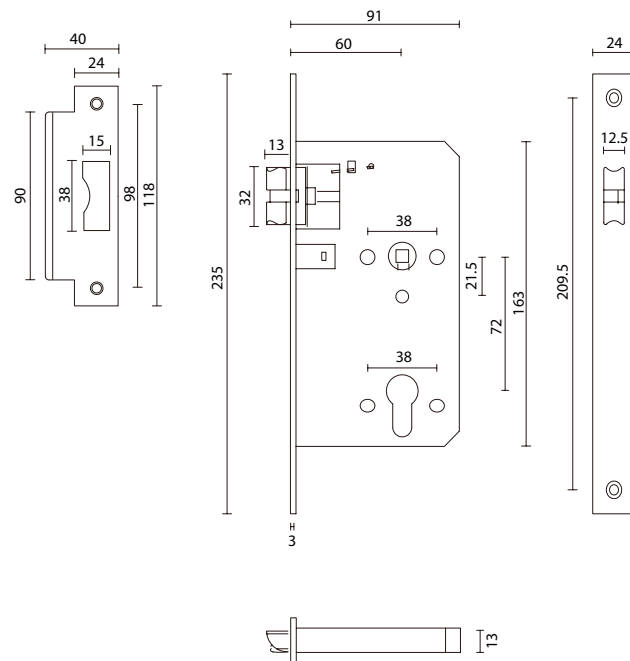
ML1072X SERIES ANSI GRADE 1 MORTISE LOCKSET

Available Models

ML107201X Entrance Lock



ML107202X Passage Lock

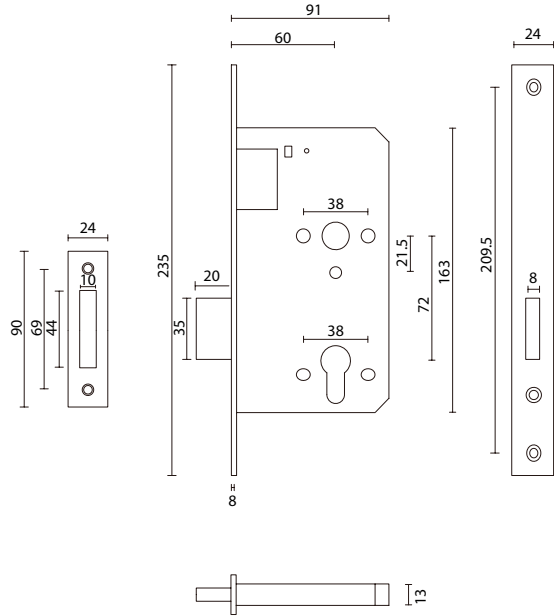


* Dimensions in mm

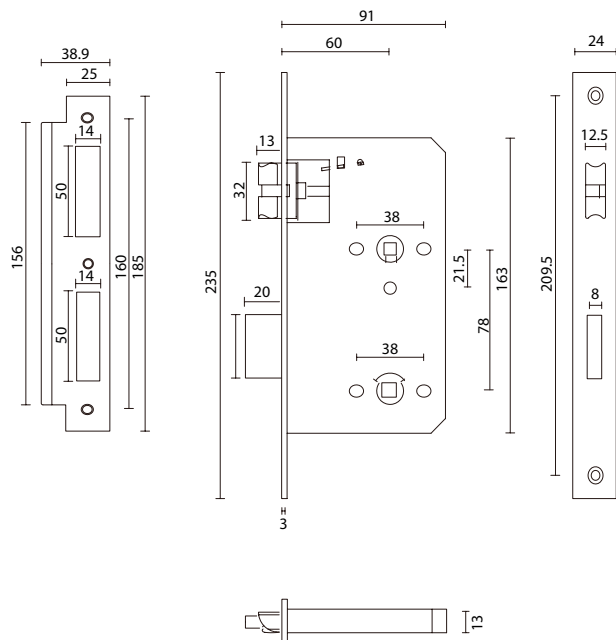
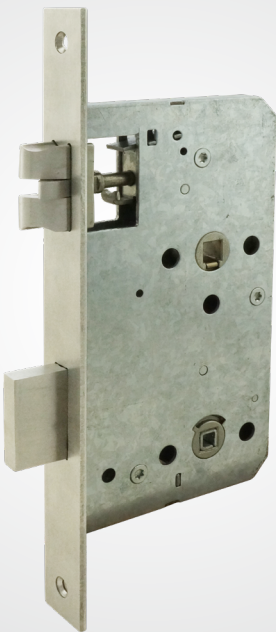
ML1072X SERIES ANSI GRADE 1 MORTISE LOCKSET

Available Models

ML107203X Dead Lock



ML107204X Bathroom Lock

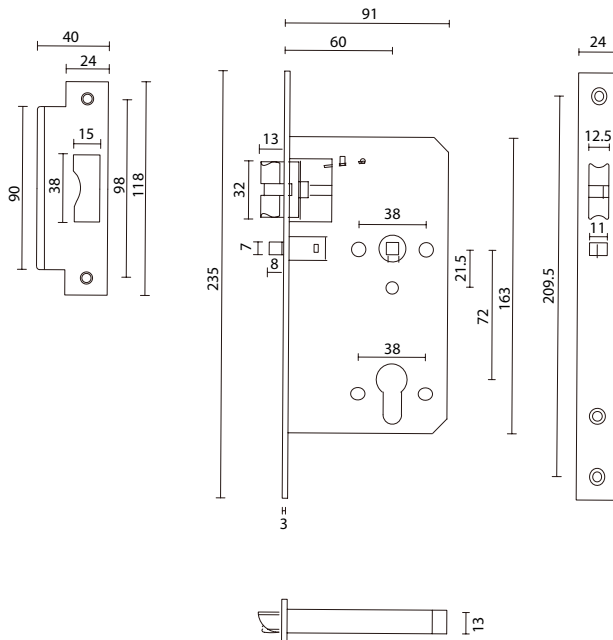


* Dimensions in mm

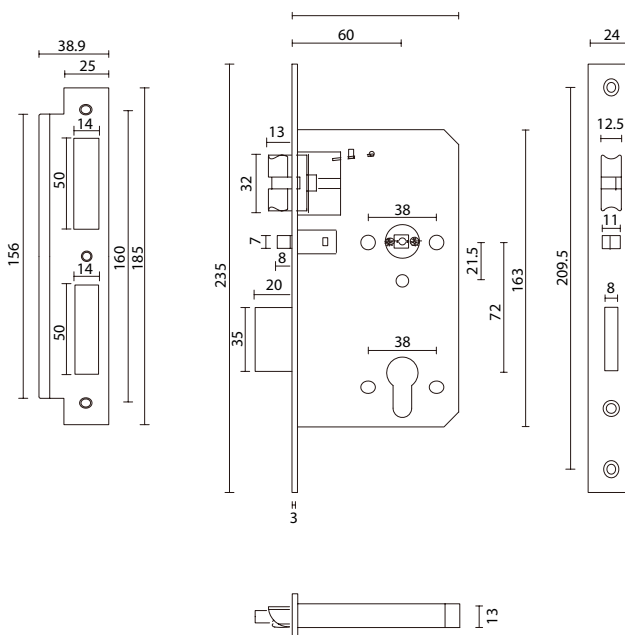
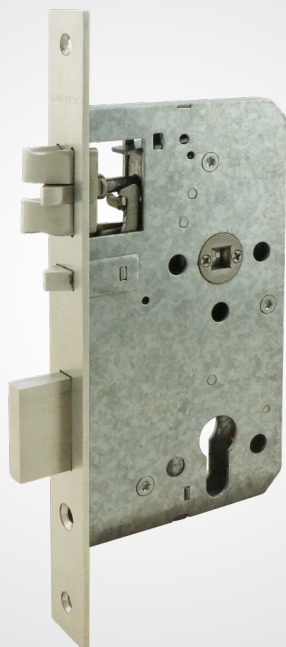
ML1072X SERIES ANSI GRADE 1 MORTISE LOCKSET

Available Models

ML107205X Night Latch



ML107206X Escape Entrance Lock

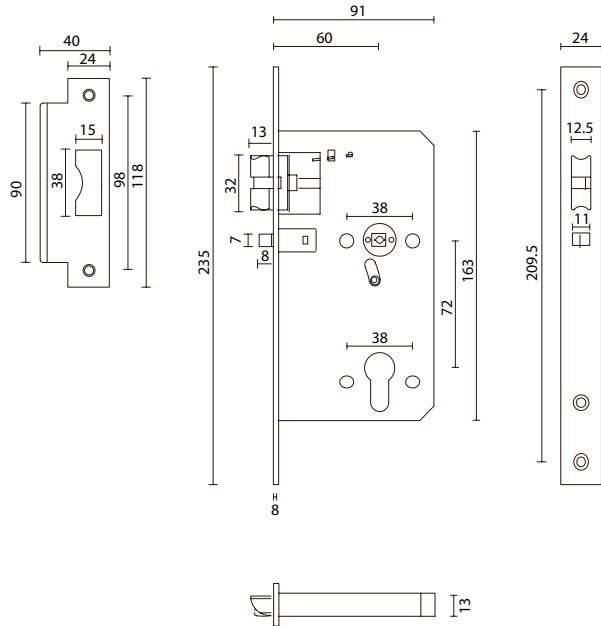


* Dimensions in mm

ML1072X SERIES ANSI GRADE 1 MORTISE LOCKSET

Available Models

MD107208X Classroom Lock



* Dimensions in mm